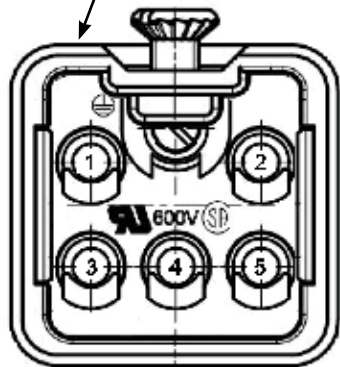


5 way female insert



5 way male insert

View: Wiring face of cable mount connector

21 way female insert

Con 1 Pin	Description
1	NC
2	NC
3	Low V (24V to 36V DC)
4	GND
5	High V (72V to 110V DC)

Con 2 Pin	Description
1	Loop +
2	Loop -
3	NC
4	NC
5	NC

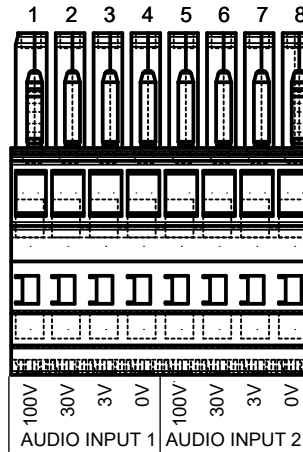
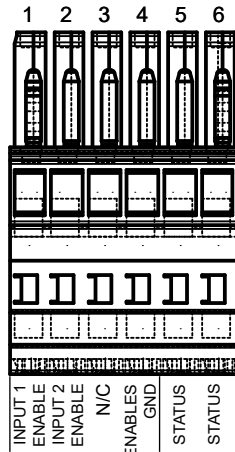
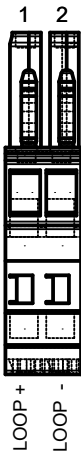
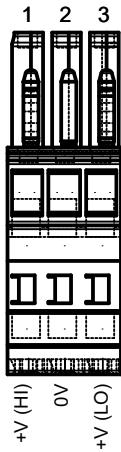
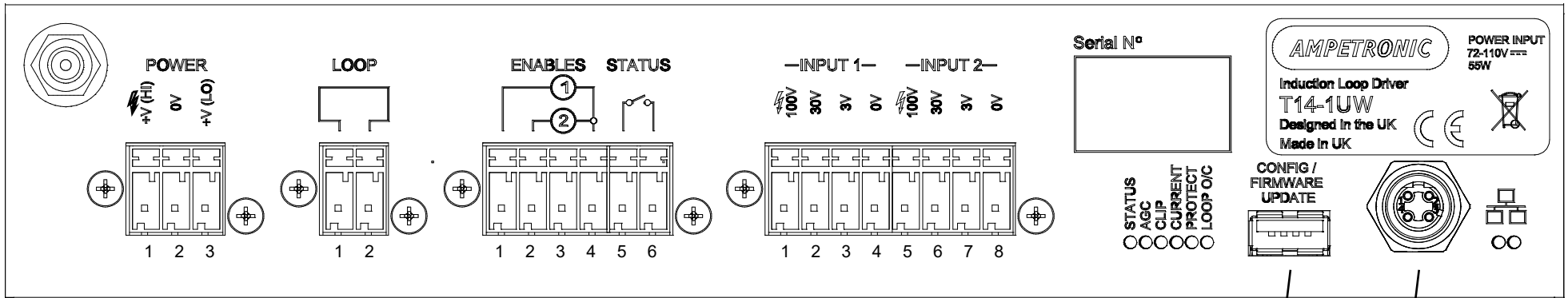
Con 3 Pin	Description	Con 3 Pin	Description
1	Input 2, 100V	12	NC
2	Input 1, 100V	13	NC
3	NC	14	NC
4	Input 2, 30V	15	NC
5	Input 1, 30V	16	NC
6	NC	17	Input 1, enable
7	Input 2, 0V	18	Input 2, enable
8	Input 2, 3V	19	Enable GND
9	NC	20	Status contact
10	Input 1, 3V	21	Status contact
11	Input 1, 0V		

Connector components	
Harting Part Number	Description
09120213101	HAN 21W insert, female
09120053001	HAN 5-way insert male
09120053101	HAN 5-way insert female
09670008476	Pins, 0.5mm ² female (signal)
09330006202	Pins, 2.5mm ² female (power)
09330006102	Pins, 2.5mm ² male (loop)
19200030430	HAN 3A hood/backshell
09200009995	Housing screw
Generic	M25 Cable bush



T14-1 Harting connector pin-outs

T14-1LH, T14-1UH



Top down view of connectors

POWER	Description
1	+V (HI) (72V to 110V DC)
2	0V
3	+V(LO) (24V to 36V DC)

LOOP	Description
1	LOOP +
2	LOOP -

ENABLES	Description
1	INPUT 1
2	INPUT 2
3	N/C
4	GND

STATUS	Description
5	STATUS
6	STATUS

AUDIO INPUT 1	Description
1	100V
2	30V
3	3V
4	0V

AUDIO INPUT 2	Description
5	100V
6	30V
7	3V
8	0V

Connector components	
WAGO Part Number	Description
769-102	2 way plug, straight
769-103	3 way plug, straight
769-106	6 way plug, straight
769-108	8 way plug, straight
769-411	Strain relief for 2-3 poles
769-413	Strain relief for 6-9 poles



T14-1 WAGO connector pin-outs

T14-1LW, T14-1UW, T14-1LB