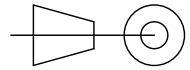


Drg No BC30034

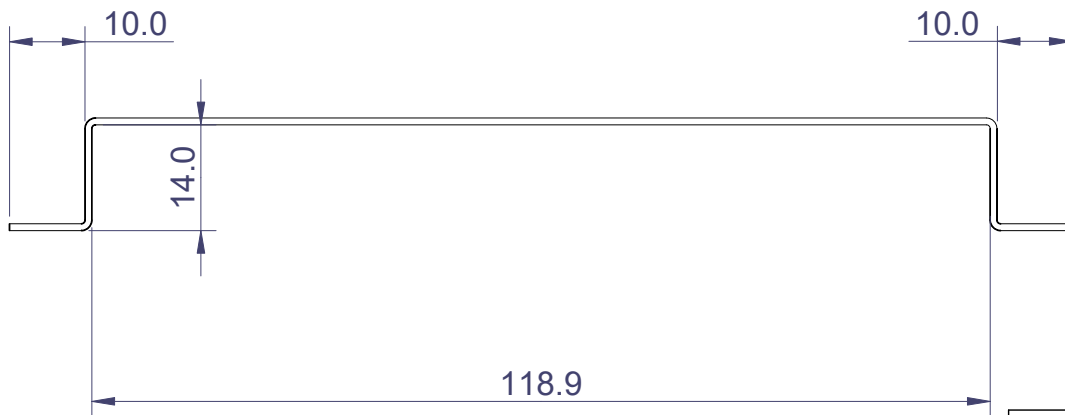
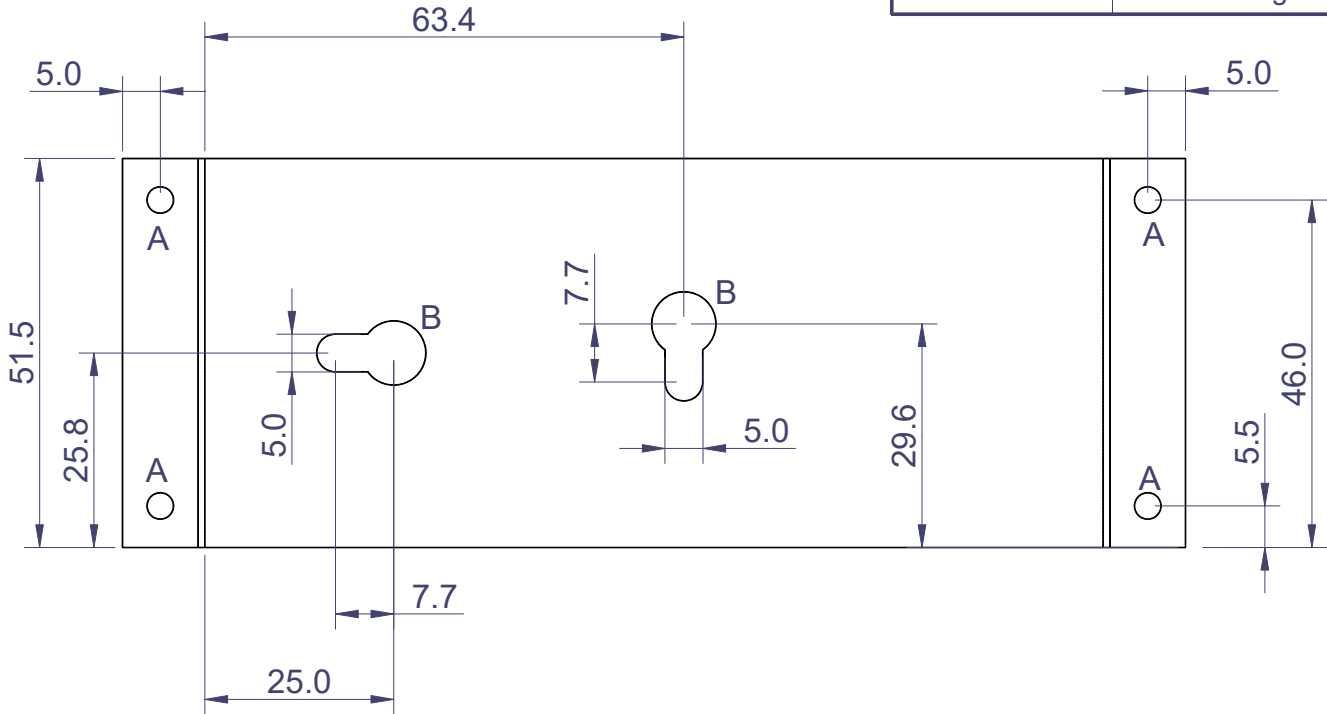
SCALE

1 : 1



ASSOCIATED DRAWINGS

NUMBER	TITLE
BZ20016	final finishing



NOTES

Material : ZINCTECH 0.9 thick

Finish : As stated

General Tolerance : ± 0.5

Internal Bend Radius < 0.5

DIMENSIONS IN mm

Finished item to be clean and free from burrs

HOLE SIZE (Ø STATED) ± 0.3		
TYPE	QTY	DEFINITION
A	4	3.5
B	2	8.5 SEE DRG

Used with ILD122 ILD300	Product code RWML-1U
C5-1 C5-2 C7-1 C7-2	WM-C-LP

Drg. No. BC30034

Sheet
1 of 1

Wall Mount Bracket

AMPETRONIC

www.ampetronic.com

23162	2	SJG			
----	1	JSW		JSW	09/11/01
DN No	ISSUE	DRN	CHKD	APVD	DATE