

# WM-D - Wall Mount Brackets for D-Series



← Power switch on this corner

FRONT PANEL

## INSTRUCTIONS FOR FIXING TO THE WALL

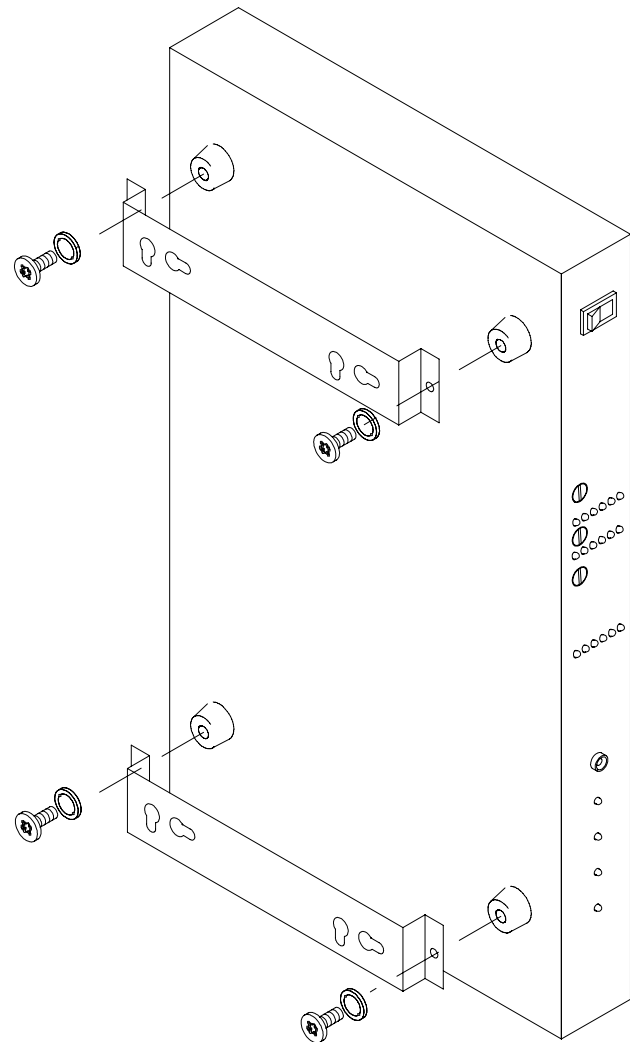
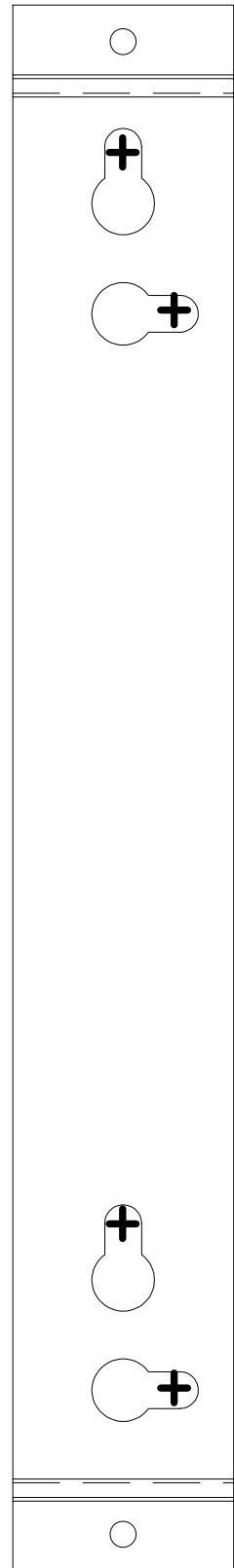
### DRILLING TEMPLATE

USE NO.8 ROUND HEAD SCREWS

UNIT MAY BE MOUNTED VERTICALLY  
OR HORIZONTALLY

### IMPORTANT

USE 4 WALL FASTENERS, EACH CAPABLE OF SUPPORTING  
3.9kg / 8lb 10oz, TO PROVIDE A SAFETY FACTOR OF 4.  
USE APPROPRIATE FIXINGS, PLUGS OR ANCHORS, FOR THE  
TYPE OF WALL THE UNIT IS TO BE MOUNTED ON.



## INSTRUCTIONS FOR FITTING THE WALL MOUNT BRACKETS

REMOVE ALL RUBBER FEET  
ORIENTATE BRACKETS AS SHOWN  
FIT BRACKETS TO UNIT USING SCREWS AND WASHERS PROVIDED (4 off M3 x 6 Pan)

UP49002-1