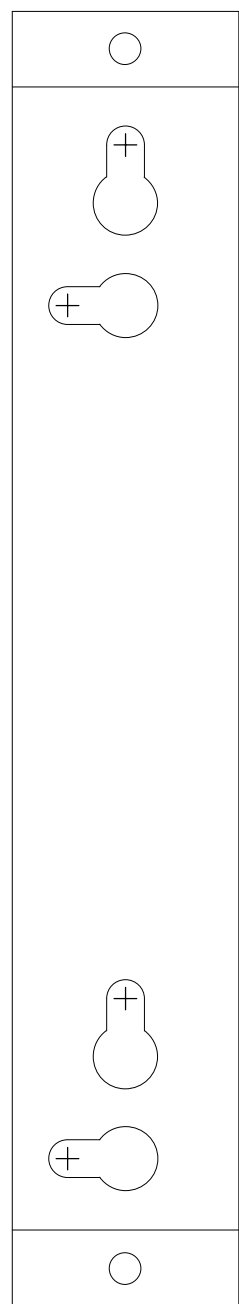


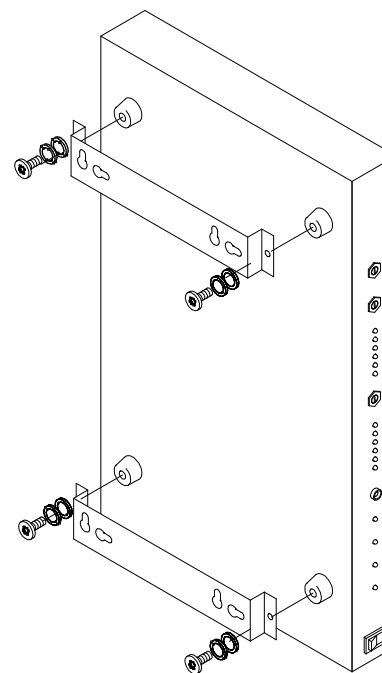
FRONT OF UNIT



DRILLING TEMPLATE

USE NO.8 ROUND HEAD SCREWS

UNIT MAY BE MOUNTED VERTICALLY
OR HORIZONTALLY

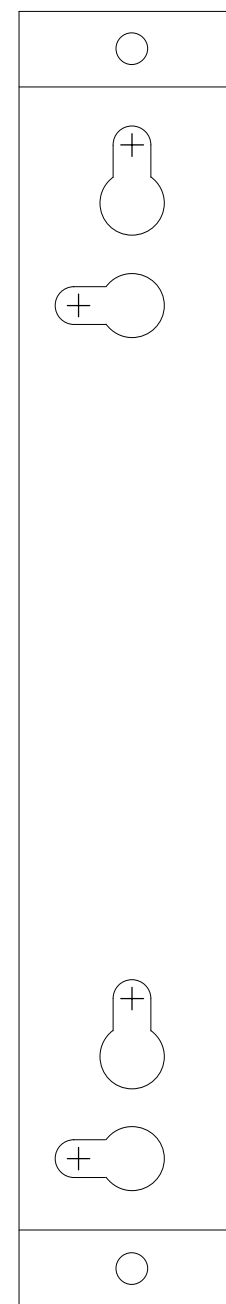


INSTRUCTIONS FOR WALL MOUNTING

REMOVE ALL RUBBER FEET
ORIENTATE BRACKETS AS SHOWN
FIT BRACKETS TO UNIT USING SCREWS AND WASHERS SUPPLIED
DO NOT USE SCREWS USED TO FIT THE RUBBER FEET
TORX T10 DRIVER IS REQUIRED

IMPORTANT

USE 4 WALL FASTENERS, EACH CAPABLE OF SUPPORTING
3kg / 6lb 10oz, TO PROVIDE A SAFETY FACTOR OF 4.
USE APPROPRIATE FIXINGS, PLUGS OR ANCHORS, FOR THE
TYPE OF WALL THE UNIT IS TO BE MOUNTED ON.



Unit outline for reference