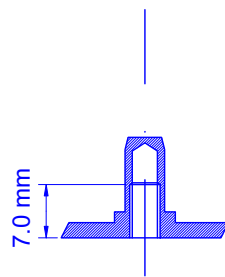
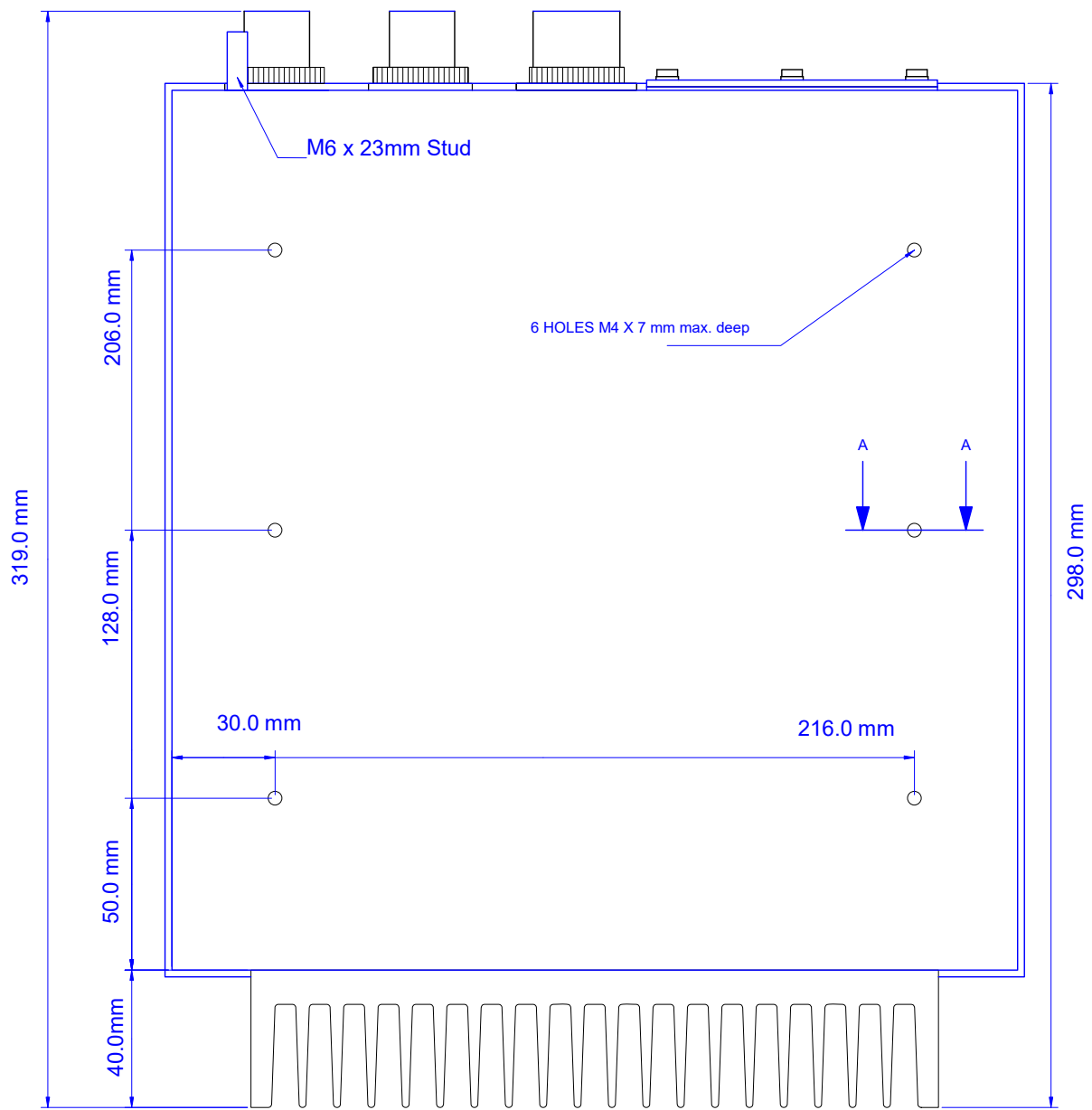
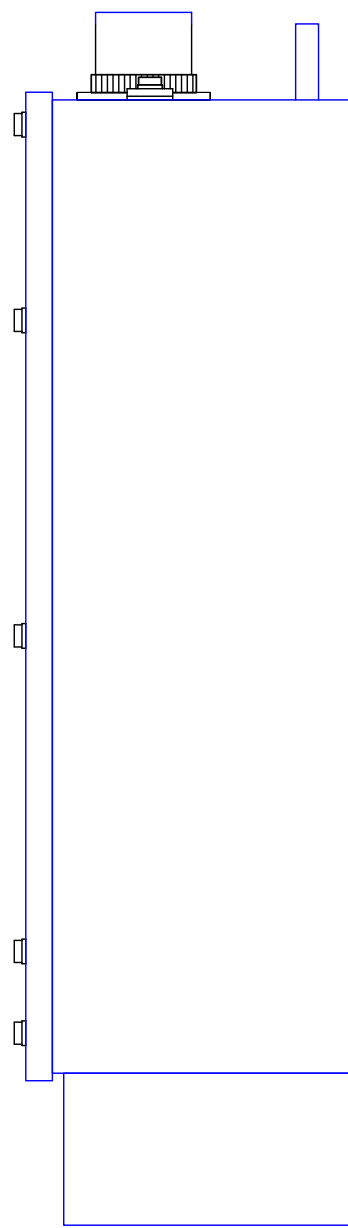
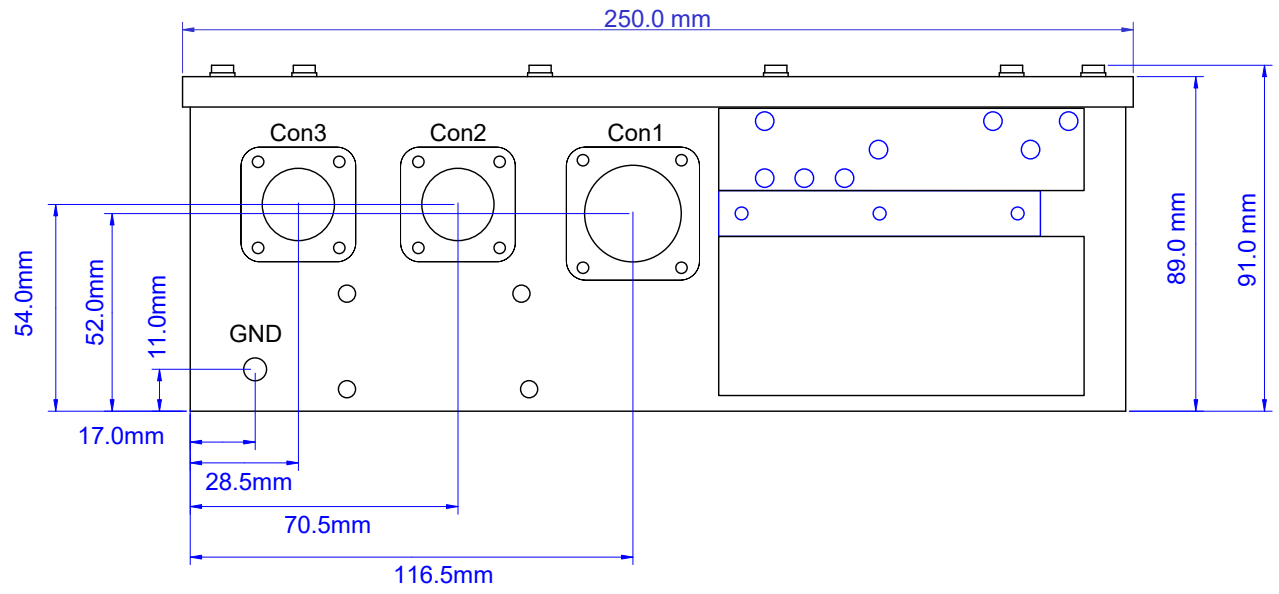


OUTLINE DRAWING



DN No	ISSUE	DRAWN	CHECKED	APPROVED	DATE
19044	4	SJG	TEL	MJP	27/02/19
18060	3	SJG	TEL	BDB	19/06/18
15155	2	SJG	TEL	BDB	24/11/15
DN13004	1	SJG	TEL	BDB	18/01/13
DN12116	B	BDB	TEL	BDB	11/07/12

NOTES
 Tolerance: ± 0.1 mm
 RAL 7021

THE COPYRIGHT OF THE DRAWING IS THE PROPERTY OF AMPETRONIC LTD. NO PART OF THE CONTENT SHALL BE REPRODUCED WITHOUT THE EXPRESS WRITTEN PERMISSION OF AMPETRONIC LTD.

Drg. No. **BC36816** Sheet 1 of 1
 Title: **XA88 OUTLINE DRAWING**

 AMPETRONIC LTD.
 Northern Road, Newark,
 Notts, NG24 2ET
 Tel. 01636 610062
 Fax 01636 610063

SCALE
 NTS