

Telephone Adapter

Handbook Contents:

- Safety
- Introduction
- General Operation
- Series connection
- Parallel connection
- Digital/PABX or Handset connection
- Specification
- Warranty Information
- Declaration of Conformity

Contents:


- 1 x Telephone adapter
- 1 x RJ11 to RJ11 cable (US & EU)
- 1 x RJ11 to BT431A cable (UK*)
- 1 x RJ11 to BT431A socket (UK*)
- 1 x RJ11 to RJ10 coiled cable
- 1 x RJ11 to RJ10 0.5m short cable
- 1 x Audio 3.5mm jack cable
- 1 x Handbook (this document)

*Contents are country dependent

Safety:



This symbol is used to alert the user to important operating or maintenance instructions.

1. It is important to read these instructions, and to follow them.
2. Keep this instruction manual in an accessible place.
3. No user serviceable parts. Refer all servicing to qualified personnel.
4. No objects filled with liquids, such as vases, shall be placed on the apparatus.
5. Clean only with a dry cloth.
6.  **WARNING:** Do not expose to dripping or splashing.



AMPETRONIC

Listen to the difference

Introduction:

The telephone adapter is designed for direct connection to any analogue telecommunication network safely allowing voice recording, or connection to an Audio Induction loop system such as the DLS or CLD1 amplifier. The telephone adapter is simple to connect and use.

If the instructions in this handbook are followed and the supplied cables are used for connections to the telephone adaptor, your telephone and ancillary equipment should all work correctly. However, it is possible that some pieces of equipment will not work properly if the telephone adaptor is placed in series with the telephone line and that equipment. This may apply to systems that require a 4-wire phone line connection, for example fax machines, some digital telephone systems etc. If there is a problem with **Series connection** then use the **Parallel connection** as detailed in Fig.2.

It is the responsibility of the user to check that any equipment connected to a telephone line via this telephone adaptor works correctly when connected.

General Operation:

Direct connection to the network will allow all voice data to be monitored when the adapter is connected in between the master socket and telephone. Some noise may be heard when the telephone is not in use. Signal levels on the audio output will typically be line level.

If noise is a problem then try the **Handset connection** method.

Series connection:

1. Connect one outlet of the adapter to the telephone outlet socket using item 2.
2. Connect the other side of the adapter to the telephone, use item 7 if needed.
3. Connect the 3.5mm mono jack plug cable, item 6, between the telephone adapter and any amplifier with an unbalanced line level input.
4. Lift the telephone receiver and adjust the level on the amplifier or sound system for the correct level.

1. Telephone outlet socket.
2. RJ11 or BT431(UK) plug to RJ11 plug cable.
3. Telephone adapter.
4. Audio amplifier system.
5. Telephone equipment
6. 3.5mm to 3.5mm mono jack plug cable.
7. RJ11 to BT431A(UK) socket adapter.

For UK telephones use items 2 and 7 if required.

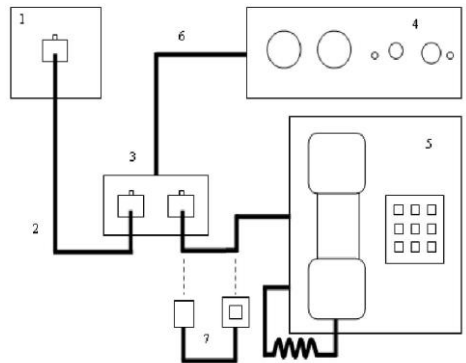


Fig.1. Series connection.

Parallel connection:

Voice monitoring may also be performed by using a double socket adapter (not supplied) connected to the telephone outlet socket and connecting the telephone adapter to one of the double socket adapter outputs, as shown in Fig.2.

Audio is taken from the Telephone adapter as described earlier.

1. Telephone outlet socket and double adapter.
2. RJ11 or BT431(UK) plug to RJ11 plug cable.
3. Telephone adapter.
4. Audio amplifier system.
5. Telephone equipment.
6. 3.5mm to 3.5mm mono jack plug cable.

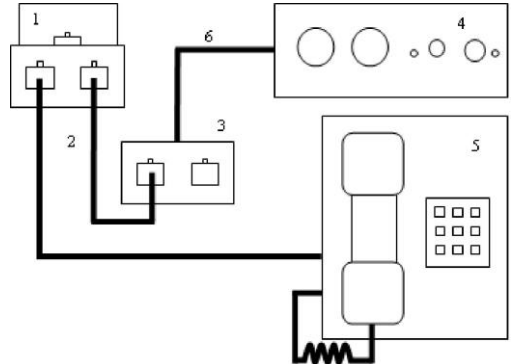


Fig.2. Parallel connection.

Digital/PABX or Handset connection:

The telephone adapter will not work if directly connected to Digital systems. However, audio can be taken from the telephone handset by connecting the Telephone adapter in between the handset coiled cord and base unit.

Check and make sure that your Telephone equipment has a pluggable type coiled cord.

1. Unplug the handset coiled cord currently fitted to your telephone equipment.
2. Connect the RJ11 to RJ10 coiled cable, supplied item 4, between the handset and Telephone Adapter.
3. Connect the RJ11 to RJ10, 0.5m short cable, supplied item 3, between the Telephone adapter and the Telephone base unit.
4. Connect the mono jack plug cable between the Telephone adapter and an unbalanced microphone input.
5. Lift the telephone handset and adjust the amplifier to the required audio level.

1. Telephone outlet socket.
2. Telephone equipment.
3. RJ11 to RJ10, 0.5m short cable.
4. RJ11 to RJ10 coiled cable.
5. 3.5mm to 3.5mm mono jack plug cable.
6. Audio amplifier system.
7. Telephone adapter.

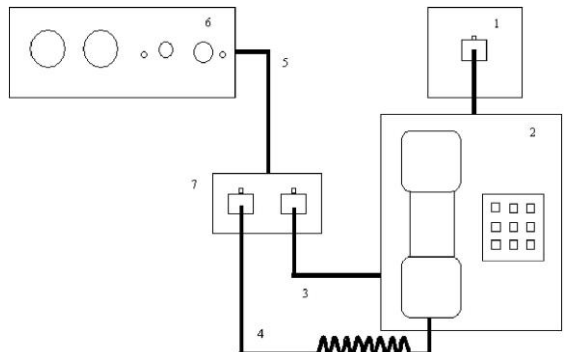


Fig.3. Handset connection on a Digital/PABX or private phone.

Specification:

Input impedance: >10kΩ @ 1 kHz.

Frequency response: 200Hz to 100kHz, -3dB.

Distortion: <0.5% THD+N at -10dBu (245mV input).

Weight: 26g.

Size: 53mm x 40mm x 24mm.

Warranty information:

This product carries a 1 year parts and labour warranty which could be invalidated if these instructions are not followed correctly, or the unit is tampered with in any way.

The 1 year warranty is dated from the time the equipment leaves Ampetronic and NOT when it is installed.

The use of the Telephone Adapter for purposes or modes different from those indicated will nullify any warranty and performance specification.

The Telephone Adapter is designed and engineered in England by Ampetronic Ltd.

Declaration Of Conformity:

Manufacturer: Ampetronic Ltd.

Address: Northern Road, Newark,
Nottinghamshire, NG24 2ET.
United Kingdom.

Declares that the product:

Description: Telephone isolation unit.

Type Name: Telephone Adapter

Conforms to the following Directive(s) and Norm(s):

Directive:	2006/05/EC	
Safety:	EN60950:2006	
Directive:	2004/108/EC	
EMC:	Immunity:	EN61000-6-1:2007
	Emission:	EN61000-6-3:2007

June 2008

L.A. Pieters

Technical Director

Ampetronic Ltd.

Ampetronic Ltd.
Northern Road, Newark,
Nottinghamshire. NG24 2ET
United Kingdom

Tel: +44 (0) 1636 610062

Fax: +44 (0)1636 610063

www.ampetronic.com

Email: sales@ampetronic.com