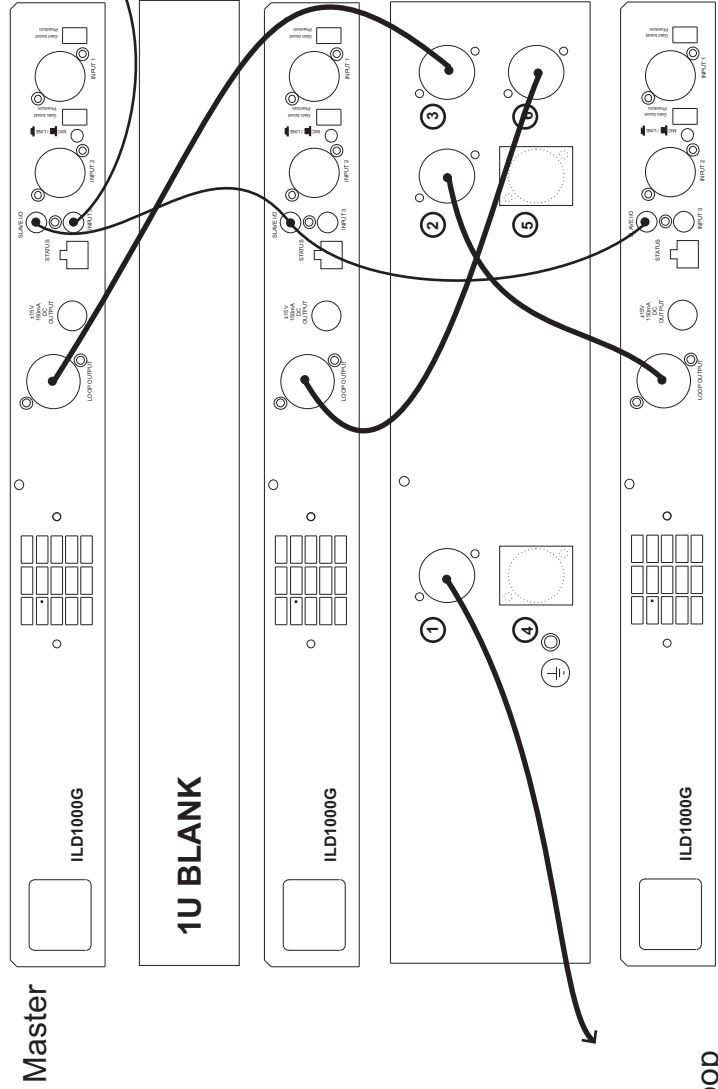


Connections for three ILD1000Gs with ILC4/3 Combiner

Audio Input to top unit in the stack



Connect the line Level Audio Input to one ILD1000G as master amplifier. Set input control for this unit only.

Set DRIVE control for equal output from all ILD1000Gs.

The amplifiers are linked by a combiner (ILC4), the output of which drives the loop.

Ensure good ventilation in the cabinet or rack.

Connector	Label
1	Output
2	Input
3	Input
4	
5	
6	Input