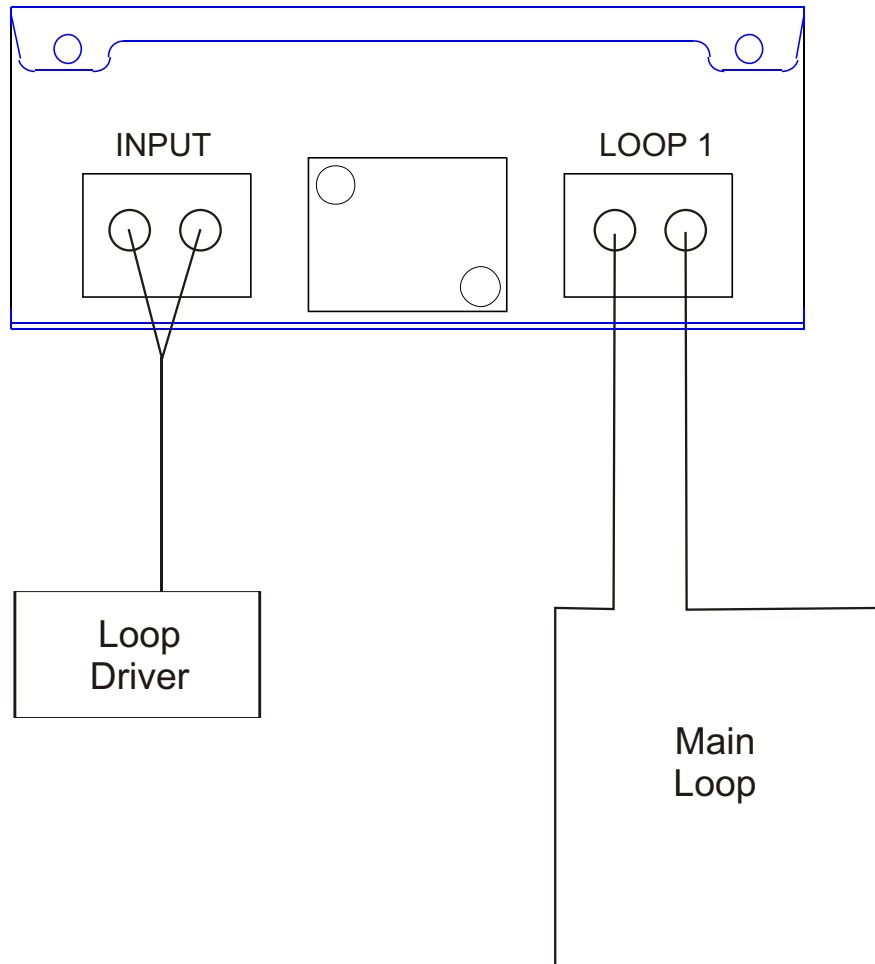


REAR VIEW OF UNIT



Ensure that the loop terminals are connected in the correct phase where indicated on the loop layout drawing or other documents supplied as part of a special design.