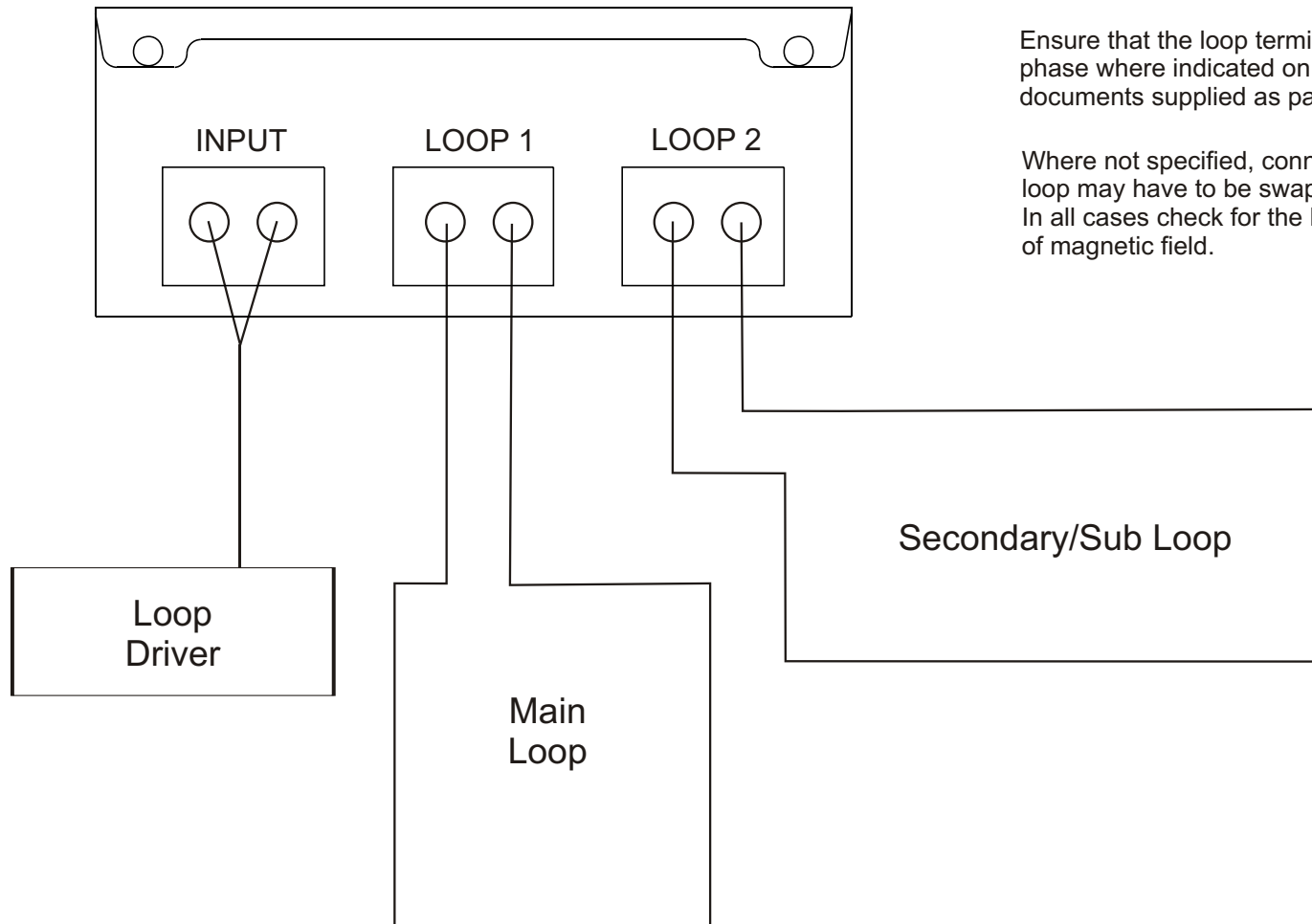


REAR VIEW OF UNIT



Ensure that the loop terminals are connected in the correct phase where indicated on the loop layout drawing or other documents supplied as part of a special design.

Where not specified, connections to the secondary loop may have to be swapped for correct phasing. In all cases check for the best and even coverage of magnetic field.